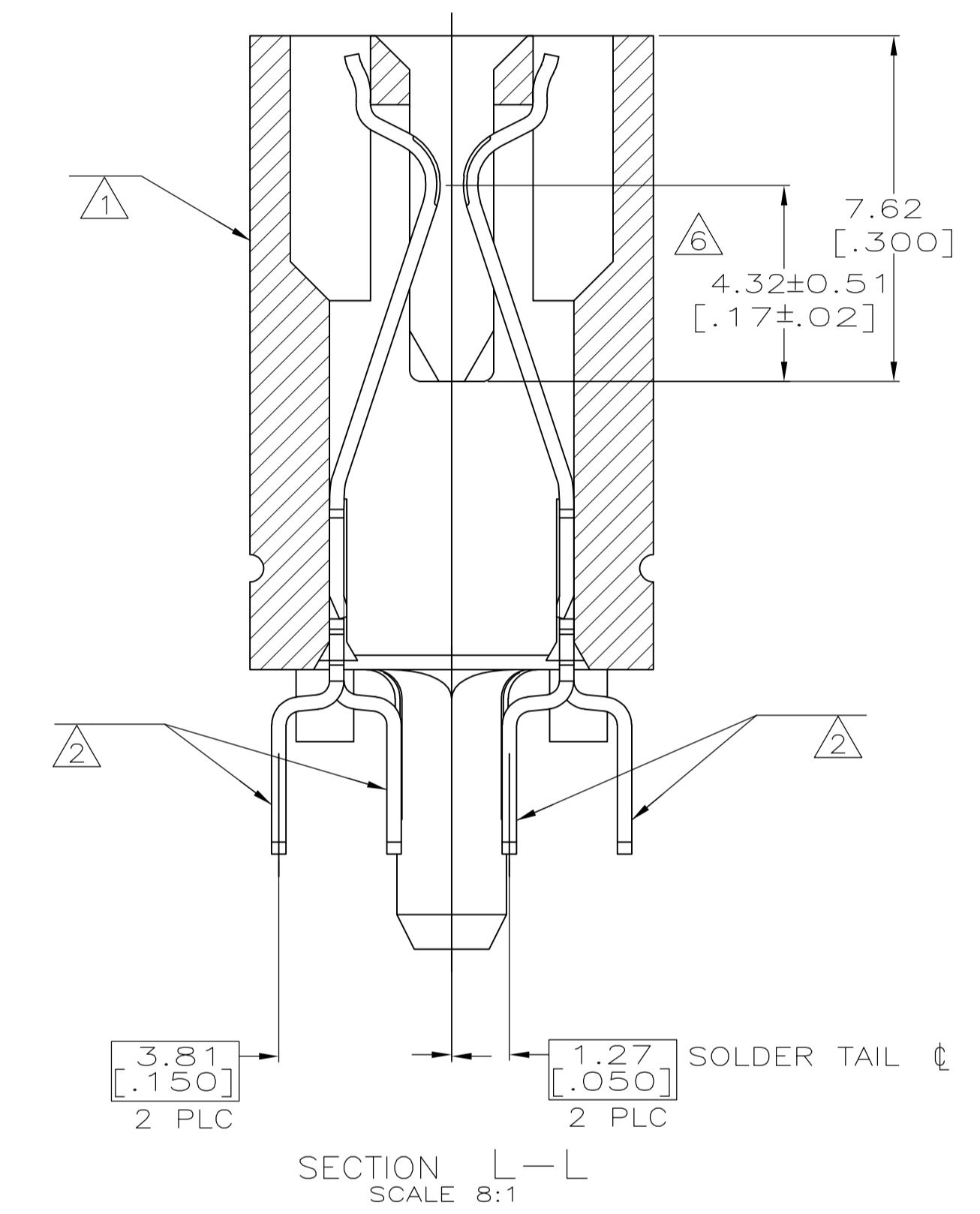
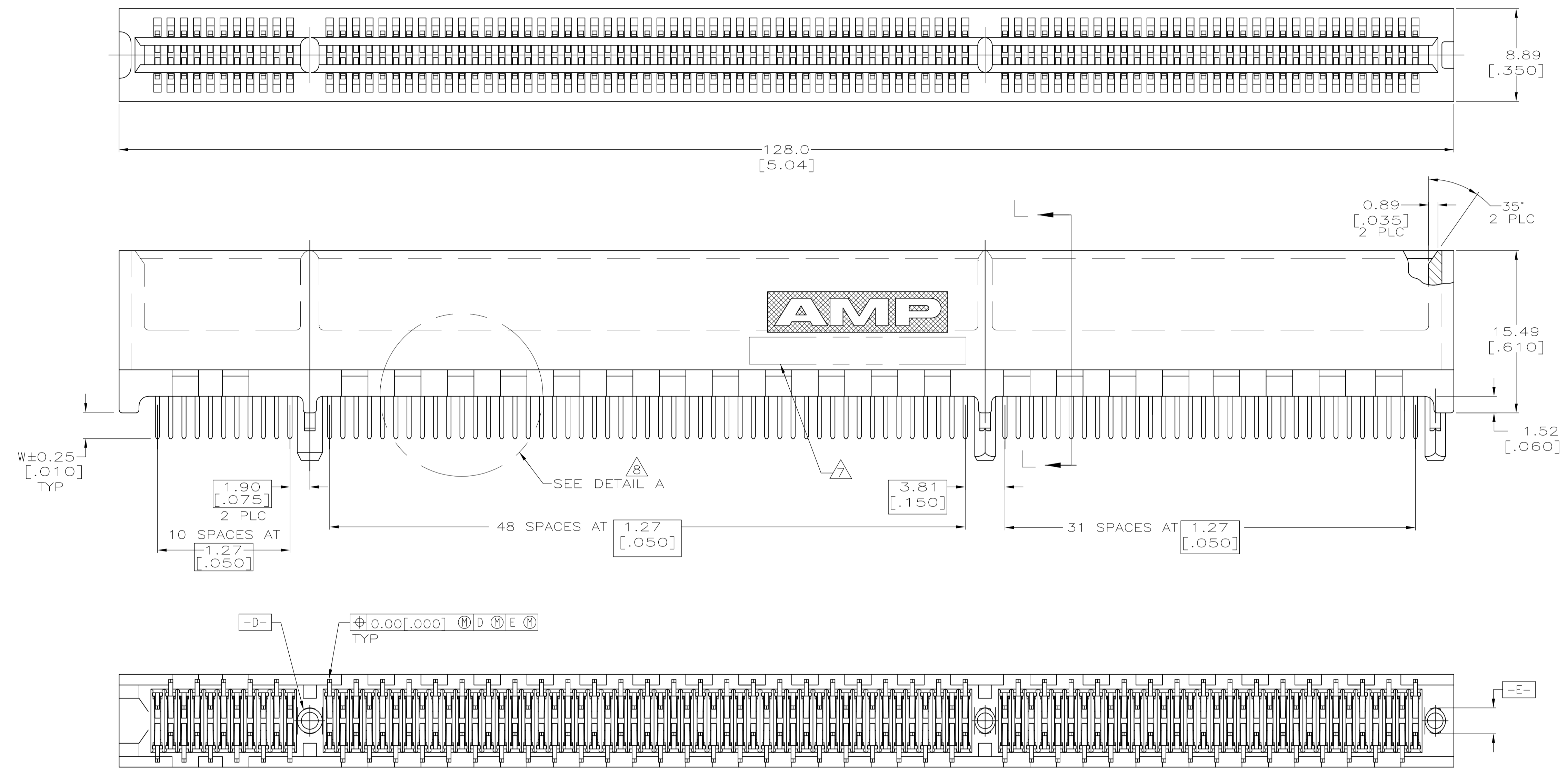
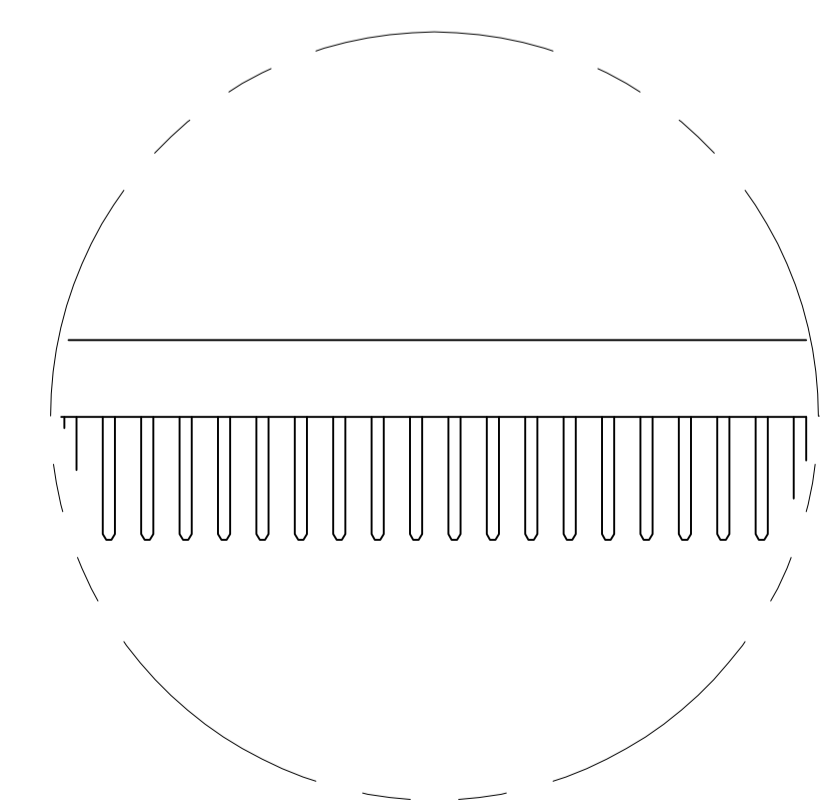


SEE SHEET 2 FOR NOTES



SEE SHEET 2 FOR HOLE PATTERN



DETAIL A

3.56 [.140]	△	1-5145165-2
3.17 [.125]	△	5145165-8
2.54 [.100]	△	5145165-4
2.54 [.100]	△	5145165-2
2.54 [.100]	△	5145165-1
W	FINISH	PART NUMBER

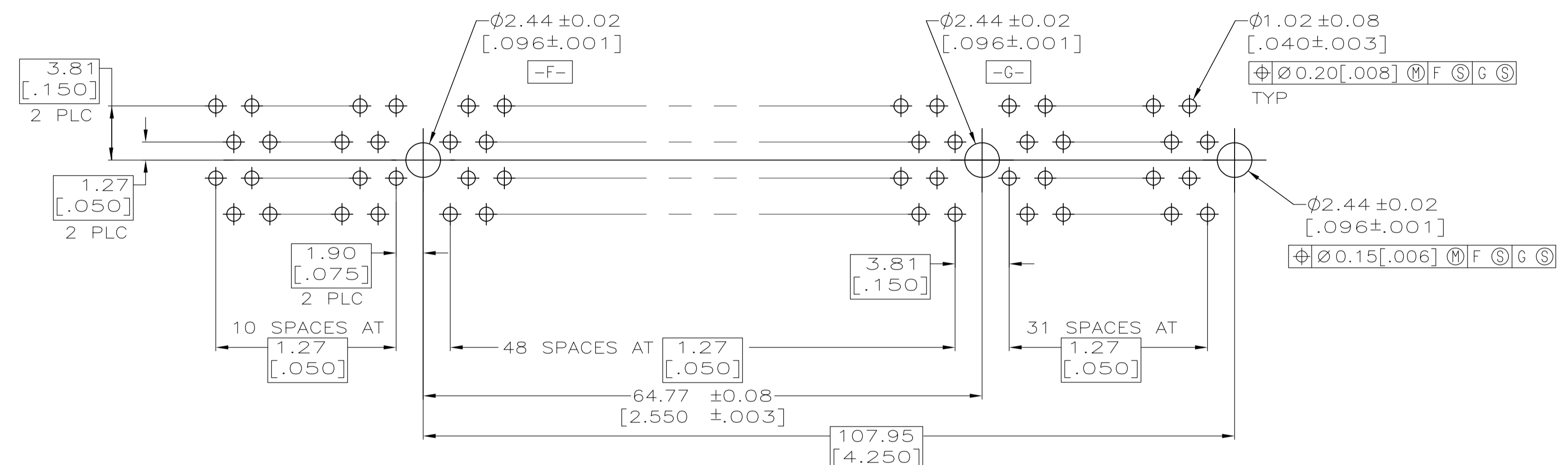
THIS DRAWING IS A CONTROLLED DOCUMENT.

DIMENSIONS: mm TOLERANCES UNLESS OTHERWISE SPECIFIED: 0 PLC ± - 1 PLC ± - 2 PLC ± 0.25 [.01] 3 PLC ± 0.13 [.005] 4 PLC ± - ± α ANGLES ± - ± α	DWN AL FRANTUM 04 FEB 05 CHK AL FRANTUM 04 FEB 05 PRODUCT SPEC 108-14034 APPLICATION SPEC 114-26012 MATERIAL FINISH	NAME SIZE CAGE CODE DRAWING NO RESTRICTED TO A1 00779 C=5145165 - CUSTOMER DRAWING SCALE 4:1 SHEET 1 OF 2 REV C1
--	--	---

OBsolete

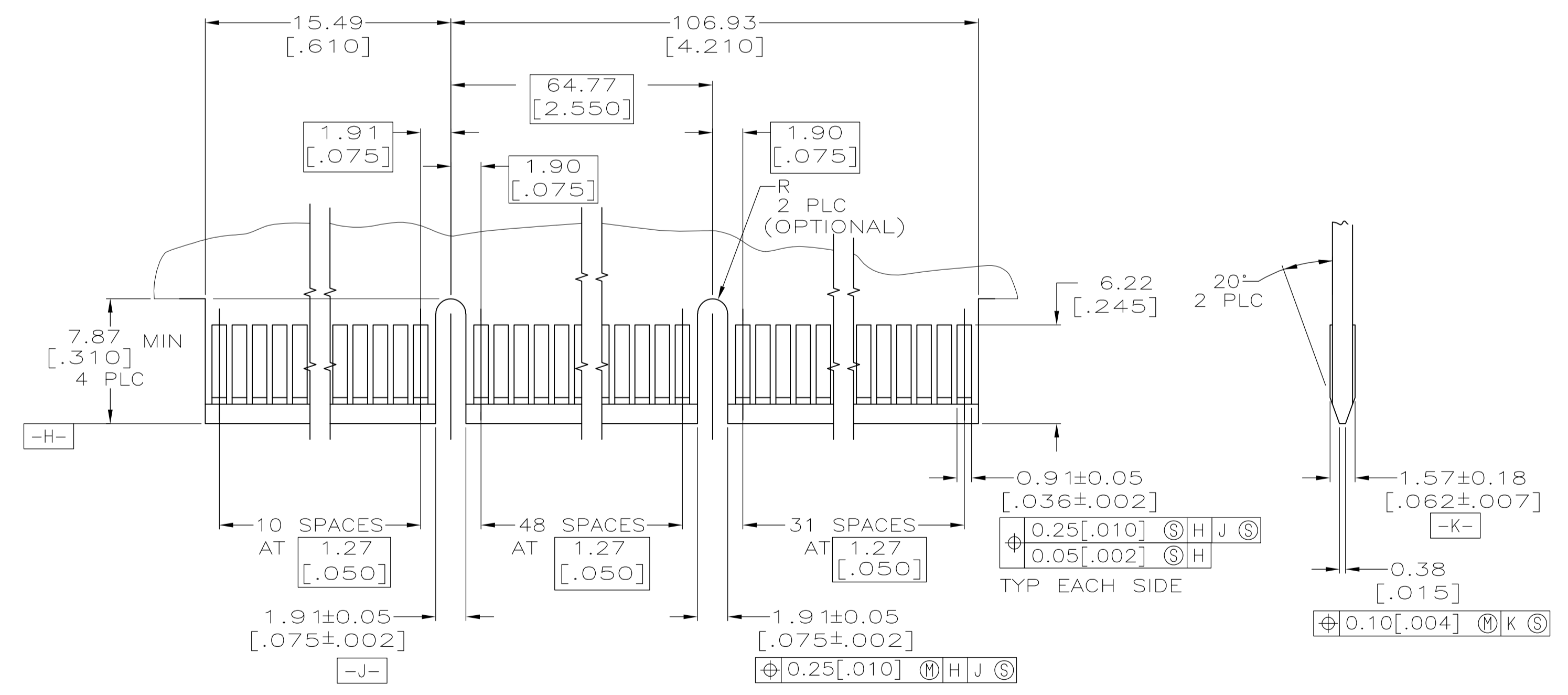
STE TE Connectivity

CONNECTOR ASSEMBLY, 92 DUAL POSITION, .050 SERIES, STANDARD EDGE



RECOMMENDED CONNECTOR MOUNTING HOLE PATTERN
(CONNECTOR SIDE SHOWN)

- ① HOUSING: HIGH TEMPERATURE THERMOPLASTIC. COLOR - NATURAL
- ② CONTACT: PHOSPHOR BRONZE.
- ③ CONTACT FINISH: 0.00127[.000050] MIN NICKEL ALL OVER. GOLD FLASH OVER NICKEL IN CONTACT AREA. 0.00254[.000100] MIN MATTE TIN OVER NICKEL ON SOLDER TAILS.
- ④ CONTACT FINISH: 0.00127[.000050] MIN NICKEL ALL OVER. 0.00038[.000015] GOLD OVER NICKEL IN CONTACT AREA. 0.00254[.000100] MIN MATTE TIN OVER NICKEL ON SOLDER TAILS.
- ⑤ CONTACT FINISH: 0.00127[.000050] MIN NICKEL ALL OVER. 0.00076[.000030] GOLD OVER NICKEL IN CONTACT AREA. 0.00254[.000100] MIN MATTE TIN OVER NICKEL ON SOLDER TAILS.
- ⑥ DISTANCE FROM CONTACT POINT TO BOTTOM OF CARD SLOT.
- ⑦ AMP PART NUMBER, DATE CODE AND CSA LOGO MARKED IN APPROXIMATE LOCATION SHOWN.
- ⑧ CORED OR SOLID SIDE WALLS ARE AT DISCRETION OF AMP INCORPORATED.



RECOMMENDED MATING BOARD EDGE CONFIGURATION

THIS DRAWING IS A CONTROLLED DOCUMENT.		DIN AL FRANTUM 04 FEB 05		TE Connectivity	
DIMENSIONS: mm		TOLERANCES UNLESS OTHERWISE SPECIFIED:			
		0 PLC ± - 1 PLC ± - 2 PLC ± 0.25 [.01] 3 PLC ± 0.13 [.005] 4 PLC ± - ± ° ANGLES ± - ± °		NAME: CONNECTOR ASSEMBLY, 92 DUAL POSITION, .050 SERIES, STANDARD EDGE PRODUCT SPEC: 108-14034 APPLICATION SPEC: 114-26012	
MATERIAL: -		FINISH: -		SIZE: A1 CAGE CODE: 00779 DRAWING NO: 5145165 WEIGHT: - CUSTOMER DRAWING: -	
				SCALE: 4:1 SHEET: 2 OF 2 REV: C1	